

# THORN

LIGHTING

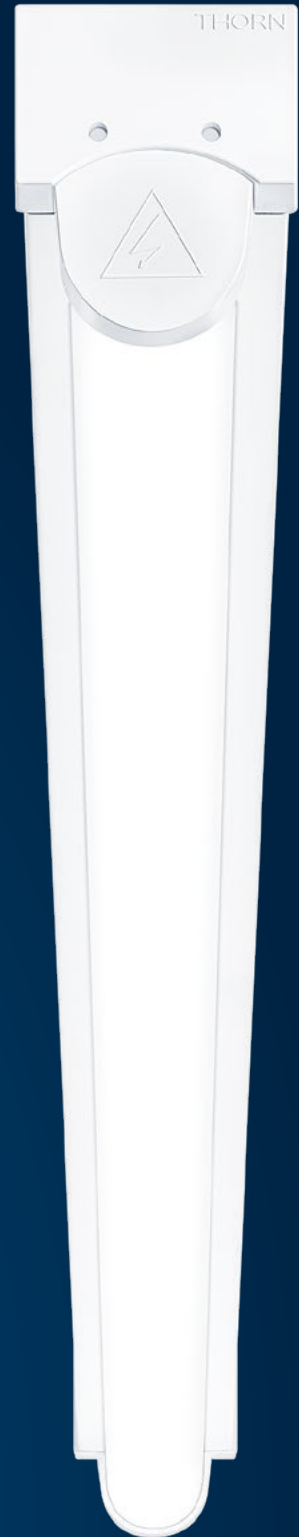


**POPPACK LED**

Fast. Simple. Affordable.



MORE INFORMATION  
ABOUT POPPACK LED  
[THORNLIGHTING.COM/POPL](http://THORNLIGHTING.COM/POPL)



# POPPACK LED

**SAVE TIME. SAVE MONEY. SAVE ENERGY.**

Made in UK, PopPack LED is the perfect one-for-one LED replacement for single and twin fluorescent battens, and the simple, efficient solution for new installations. It is ideal for office, industry and retail applications where corridors, storages, service rooms, general circulation and other functional rooms can be found. With our comprehensive portfolio you can realise both large and small projects in a fast, cost-effective and energy-efficient manner.

## APPLICATIONS



STORAGES



CORRIDORS &  
CIRCULATION  
AREAS



SERVICE  
ROOMS

## EASY INSTALLATION



01 Open luminaire by unclipping front spine



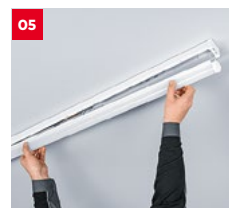
02 Bring power cable through cable entry, fix base tray to mounting surface



03 Attach suspension cord between base tray and front spine



04 Connect power cable to terminal block

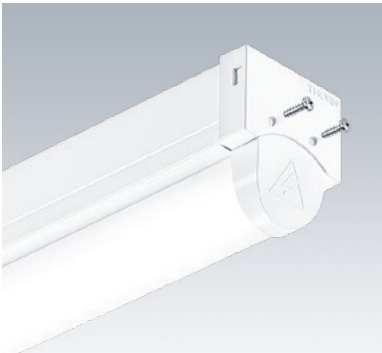


05 Close luminaire by clipping front spine onto base tray



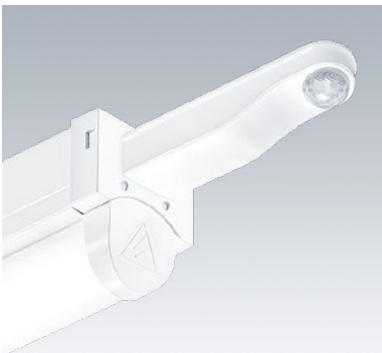
## Flexibility and efficiency

PopPack LED gives flexibility in lighting design for both new and refurbishment projects through the offer of three lengths and eight lumen outputs. With an efficacy of up to 147 lm/W, PopPack LED makes it possible to fulfil different illumination requirements whilst minimising energy use.



## Simple and secure

PopPack LED's click-in system enables fast and simple installation. Slots in the spine make alignment easy. Multiple cable entries and terminal blocks with capacity for loop-in/loop-out 2.5 mm<sup>2</sup> wires. Optional screws can be added to end caps to lock the housing, restricting access to components to ensure increased security.



## Controls and emergency

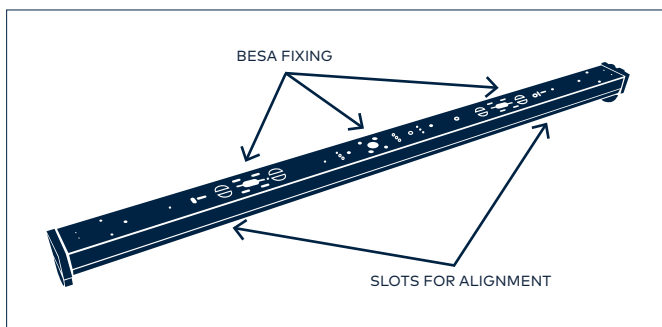
PopPack LED slashes maintenance costs, with a 50000-hour rated life, equivalent to 16 years at 12 hours per day, 5 days per week operation. Additional savings can be achieved via DALI control or an integral PIR sensor. A self-contained 3-hour emergency version is also available.

# TECHNICAL DATA



<p>50000 HOURS L80 @Ta 25°C</p>	<p>IP20</p>	<p>WIDE BEAM</p>	<p>IK03</p>	<p>E3</p>	<p>PIR SENSOR (PRESENCE DETECTION)/ DALI DIMMING</p>
<p>UP TO 147 lm/W</p>	<p>3000 lm, 4500 lm, 5000 lm 6000 lm, 6500 lm, 7000 lm 9000 lm, 11000 lm</p>	<p>3 LENGTHS: 1200 mm, 1500 mm, 1800 mm</p>	<p>3000 K 4000 K</p>	<p>-20°C / +25°C (0°C / +25°C FOR EMERGENCY VERSION)</p>	<p>CRI 80</p>

## INSTALLATION



## MATERIAL

**Batten:**  
pre-coated roll form steel,  
white (RAL9016)

**End caps/lamp holders:**  
injection moulded  
polycarbonate, white

**Diffuser:**  
textured opal acrylic

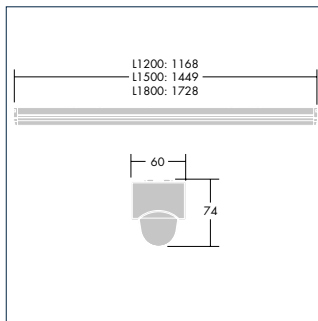
## ACCESSORIES

**SCREW KIT x20**  
(59010828)

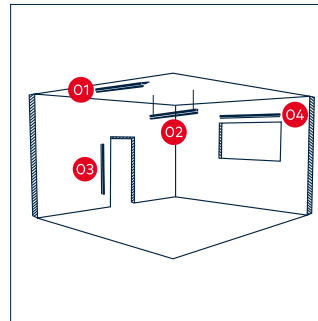
**SCREW KIT x100**  
(59010829)

**WIRE SUSPENSION KIT 2M**  
(96627711)

## DIMENSIONS



## MOUNTING



- 01 Ceiling
- 02 Suspended
- 03 Vertical wall
- 04 Horizontal wall

Configure a lighting solution with myProduct. The myProduct configurator allows you to quickly and easily configure a lighting solution.

Try it now at [www.thornlighting.com/myproduct](http://www.thornlighting.com/myproduct)

# THORN

LIGHTING



**5 YEAR  
GUARANTEE**

As a globally leading luminaire manufacturer, Thorn Lighting provides a five-year warranty for its complete product range within all European Countries.

[THORNLIGHTING.COM/GUARANTEE](http://THORNLIGHTING.COM/GUARANTEE)

Thorn Lighting is constantly developing and improving its products. All descriptions, illustrations, drawings and specifications in this publication present only general particulars and shall not form part of any contract. The right is reserved to change specifications without prior notification or public announcement. All goods supplied by the company are supplied subject to the company's General Conditions of Sale, a copy of which is available on request. All measurements are in millimetres and weights in kilograms unless otherwise stated.

Publication No. 96668202 (INT) Publication Date: 03/19

